



# ZINKO Hydraulic Jack

9400 7th St, Suite A2  
 Rancho Cucamonga, CA 91730  
 TEL: 909-989-9526 FAX:909-989-1724

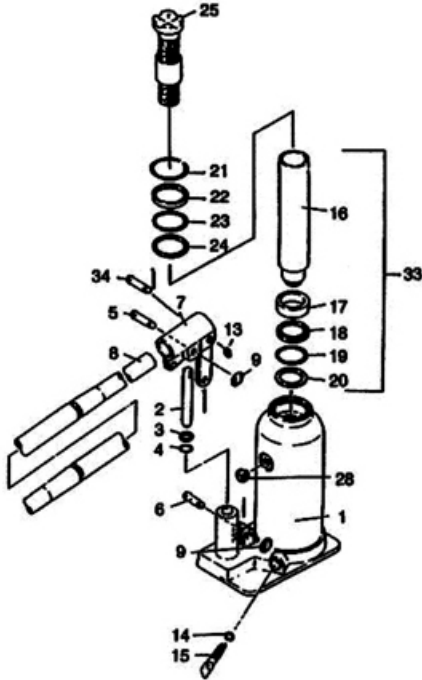
Part List For:  
**MODEL: ZN & ZNB**  
 Bottle Jack

FORM 38001-3  
 Effective Sep 2005

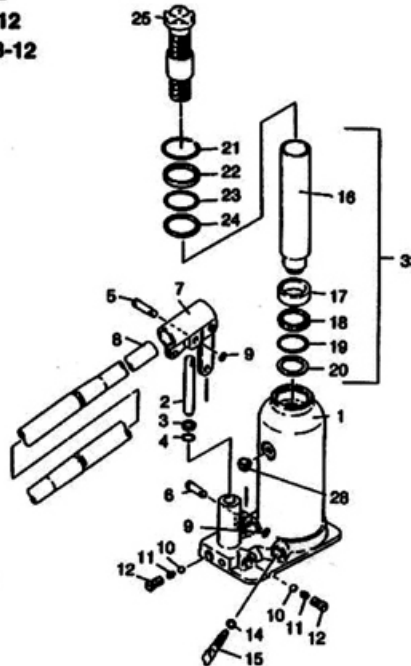
## ZN & ZNB Parts Drawing

**ORDER (800)579-8088**

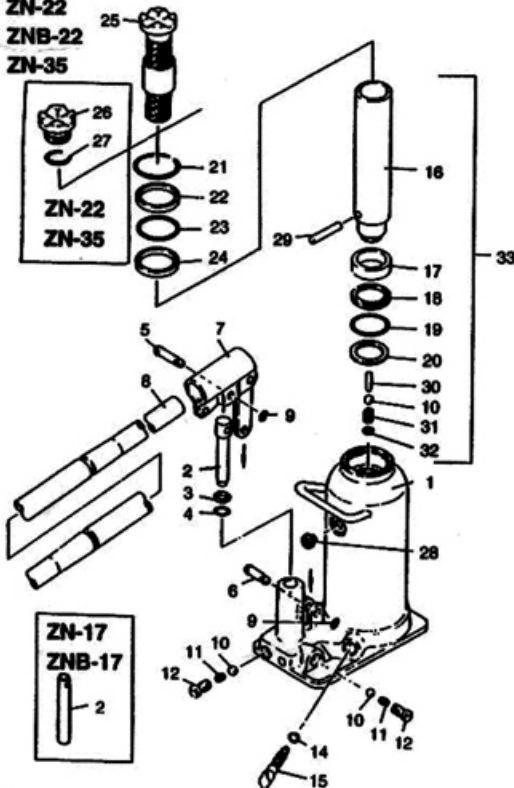
**ZN-2**  
**ZN-3**  
**ZN-5**



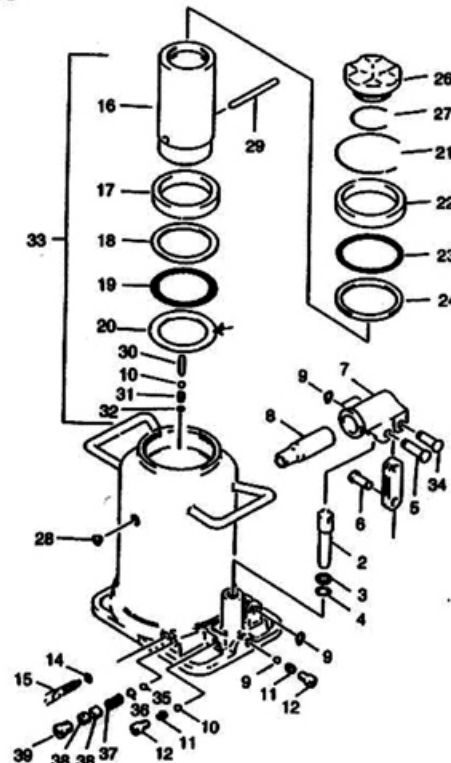
**ZN-8**  
**ZN-12**  
**ZNB-12**



**ZN-17**  
**ZNB-17**  
**ZN-22**  
**ZNB-22**  
**ZN-35**



**ZN-60**



### DESCRIPTION

1	Body Assy
2	Pump Plunger
3	Pump Backup ring
4	Pump Packing
5	Pump Plunger Pin
6	Pump Stay Pin
7	Handle Socket Assy
8	Handle
9	Snap Ring/push Nut
10	Valve Ball
11	Valve Spring
12	Valve Plug
13	Push Nut
14	Release Packing
15	Release Assy
16	Ram
17	Ram Packing Seat
18	Ram Backup Ring
19	Ram Packing
20	Ram Packing Stopper
21	Snap Ring
22	Stuffing Ring
23	Cylinder Packing
24	Stopper Ring
25	Adjusting Screw Assy
26	Supporting Plate
27	Snap Ring
28	Oil Plug
29	Horizontal Pin
30	Vertical Pin
31	Ram Spring
32	Ram Spring Stopper
33	Ram Assy
34	Pin, Handle Socket
35	Safety Valve Ball
36	Safety Valve, Ball Seat
37	Safety Valve Spring
38	Adjusting Screw Safety Valv
39	Safety Valve Plug
	Repair Part Kit