

# HYDRAULIC SHOP PRESS

## ZSP SERIES

Capacity: 15-100 ton

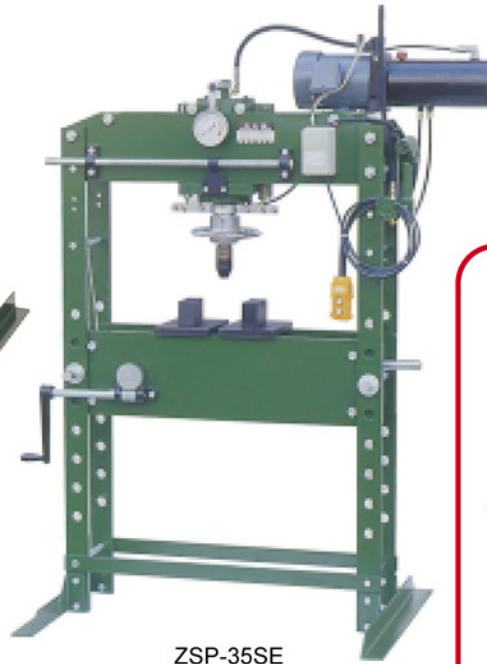
Designed for use with automotive, industrial and general shop work for pressing bending, straightening and assembling jobs.

### Features:

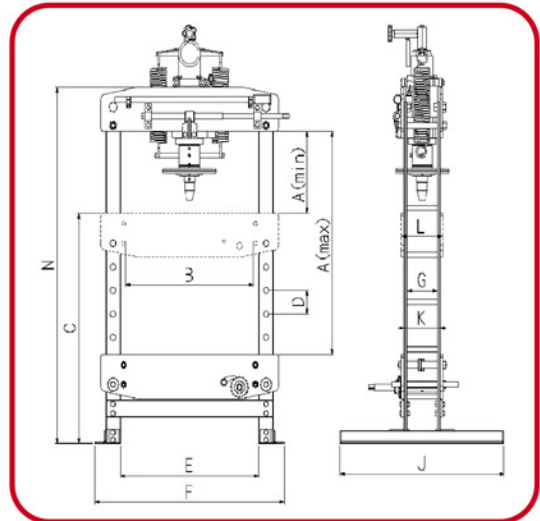
1. Easy to use hand operated with pressure gauge for direct pressure readings.
2. Tables raise and lower easily with use of hand crank.
3. Side frames are open for inserting long material.
4. Fast set-up ram extension screw.
5. Ram moves laterally for added versatility and will not diminish capacity.
6. Standard equipped with:  
Two bed plates and pump handles.  
Straightness testing support uses centers or v-block.



ZSP-15S



ZSP-35SE



Model Number	Press Capacity (tons)	H-Frame Press Dimensions (in)												Weight (lbs)
		A (max)	A (min)	B	C	D	E	F	G	J	K	L	N	
ZSP-15S	15	33.58	12.32	22.79	34.65	3.54	24.61	33.78	5.43	29.13	6.38	7.40	53.58	396
ZSP-15SA	15	33.58	12.32	22.79	34.65	3.54	24.61	33.78	5.43	29.13	6.38	7.40	53.58	400
ZSP-35S	35	35.63	14.37	31.30	38.19	3.54	33.46	44.49	8.54	34.06	9.80	7.56	60.83	616
ZSP-35SA	35	35.63	14.37	31.30	38.19	3.54	33.46	44.49	8.54	34.06	9.80	7.56	60.83	620
ZSP-35SE	35	35.63	14.37	31.30	38.19	3.54	33.46	44.49	8.54	34.06	9.80	7.56	60.83	726
ZSP-60S	60	41.34	9.84	38.58	53.15	3.94	41.34	54.33	10.55	39.37	12.05	13.46	74.80	990
ZSP-60SE	60	41.34	9.84	38.58	53.15	3.94	41.34	54.33	10.55	39.37	12.05	13.46	74.80	1100
ZSP-100SE	100	42.52	18.90	25.55	44.09	7.87	62.99	80.83	15.75	59.06	17.72	13.78	78.74	2966
ZSP-50SEN	50	48.56	7.06	18.76	54.00	10.38	28.75	42.75	5.00	36.00	7.25	13.13	76.00	1098
ZSP-100SEN	100	42.50	7.00	20.00	51.00	11.69	35.00	51.00	6.75	36.00	8.75	15.56	76.00	1707

S: Standard Manual Type; A: With Air Pump; E: With Electric Motor Pump