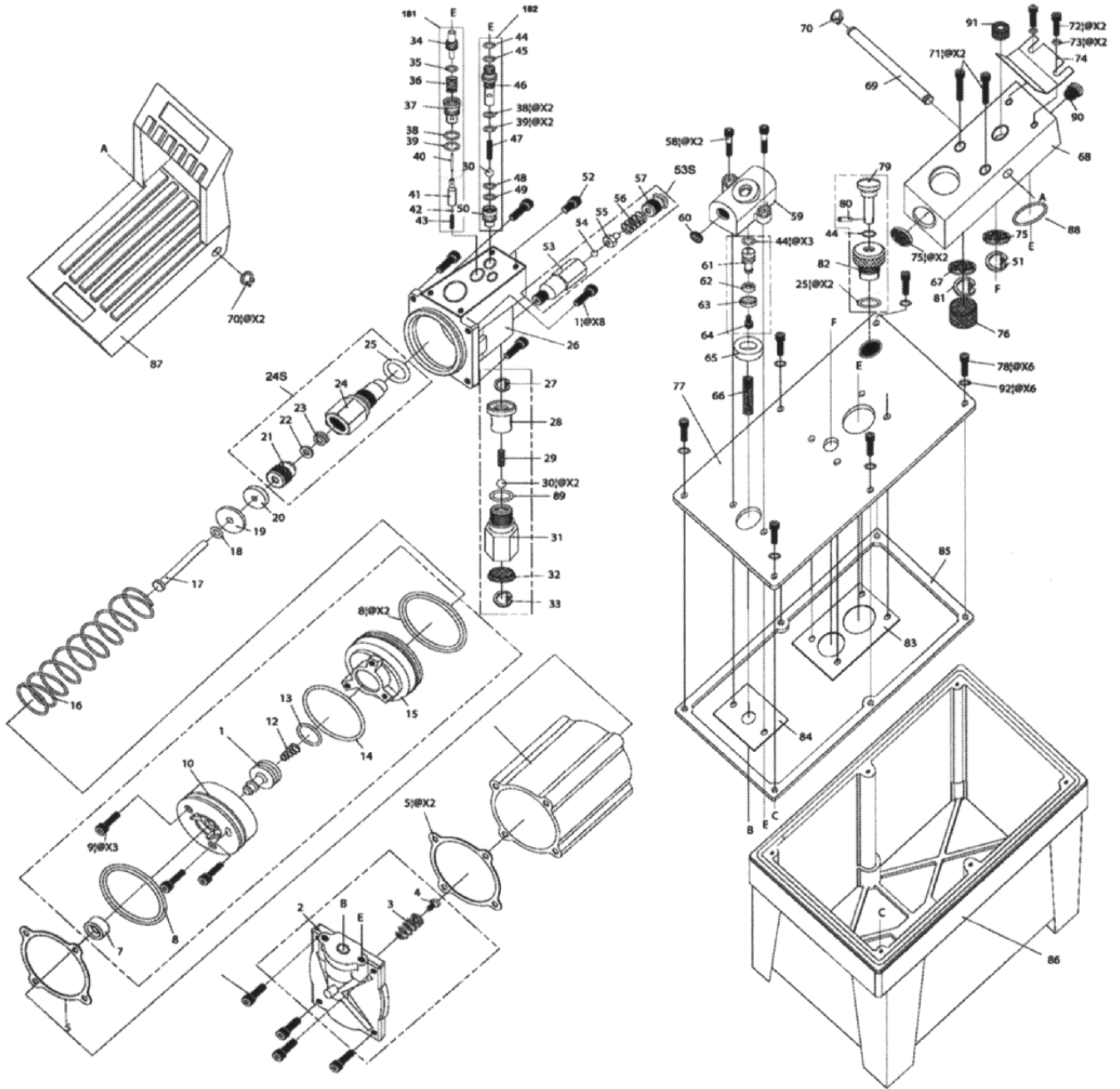




ZAP-100 Series Parts Breakdown

Toll Free: 1-800-579-8088 Web: www.zinko.com

REV 091807
Page 1 of 2





ZAP-100 Series Parts List

Toll Free: 1-800-579-8088 Web: www.zinko.com

REV 091807
Page 2 of 2

Part #	Description
9200101-01	BOLT
9200101-02	TOP CAP
9200101-03	SPRING
9200101-04	BOLT
9200101-05	PACKING
9200101-06	CYLINDER TUBE
9200101-07	RESERVOIR CAP
9200101-08	BACKUP RING
9200101-09	BOLT
9200101-10	AIR PISTON A
9200101-11	CHANGE PISTON
9200101-12	SPRING
9200101-13	O-RING
9200101-14	O-RING
9200101-15	AIR PISTON B
9200101-16	PISTON EXTENSION
9200101-17	PUMP PISTON
9200101-18	O-RING
9200101-19	PISTON CYLINDER CAP
9200101-20	O-RING WASHER
9200101-21	PUMP CYLINDER CAP
9200101-22	BACKUP RING
9200101-23	U-CUP RING
9200101-24	PUMP CYLINDER
9200101-25	O-RING
9200101-26	HYDRAULIC BASE
9200101-27	C-RING
9200101-28	OIL INLET VALVE STUD
9200101-29	SPRING
9200101-30	STEEL BALL
9200101-31	OIL INLET VALVE
9200101-32	FILTER
9200101-33	C-RING
9200101-34	RELEASE VALVE BOLT
9200101-35	O-RING
9200101-36	SPRING
9200101-37	RELEASE VALVE BASE
9200101-38	BACKUP RING
9200101-39	O RING
9200101-40	STEEL BALL AXLE
9200101-41	RELEASE VALVE
9200101-42	STEEL BALL
9200101-43	SPRING
9200101-44	O-RING
9200101-45	BACKUP RING
9200101-46	OIL INLET VALVE

Part #	Description
9200101-47	SPRING
9200101-48	O-RING
9200101-49	BACKUP RING
9200101-50	HIGH PRESSURE VALVE
9200101-51	C-RING
9200101-52	BOLT
9200101-53	VALVE CARTRIDGE
9200101-54	STEEL BALL
9200101-55	STUD
9200101-56	SPRING
9200101-57	SCREW
9200101-58	BOLT
9200101-59	AIR INLET VALVE SEAT
9200101-60	FILTER
9200101-61	AIR INLET VALVE
9200101-62	O-RING WASHER
9200101-63	AIR INLET VALVE CAP
9200101-64	BOLT
9200101-65	O-RING WASHER
9200101-66	SPRING
9200101-67	SILENCER (A)
9200101-68	OIL OUTLET VALVE
9200101-69	FOOT PEDAL AXLE
9200101-70	C-RING
9200101-71	BOLT
9200101-72	BOLT
9200101-73	WASHER
9200101-74	FOOT PEDAL STOP
9200101-75	SILENCER (B)
9200101-76	WIPER
9200101-77	COVER
9200101-78	BOLT
9200101-79	AIR VENTILATION
9200101-80	PIN
9200101-81	C-RING
9200101-82	AIR VENTILATION BOLT
9200101-83	PACKING A
9200101-84	PACKING B
9200101-85	OIL PACKING
9200101-86	OIL CONTAINER
9200101-87	FOOT PEDAL
9200101-88	O-RING
9200101-89	O-RING
9200101-90	FILTER
9200101-91	C-RING
9200101-92	SPRING WASHER
9200101-93	VENT PLUG